



## "ERNIE STEVENSON" | Towing, Pushing & Survey workboat / 20 miles offshore

### Classification / Flag:

Flag / homeport	UK, London
Year of built	1987
Built in	Sliedrecht, The Netherlands
Tonnage rules	International rules MCA Cat 3 20 miles from a safe haven
Class valid up to	2024
Call sign	MEFO7
MMSI number	232019060

### Dimensions:

Length O.A.	14,20 meters
Beam / width	4,20 meters
Depth at sides	2,00 meters
Draft (min.)	1,17 meters
Draft (max.)	1,60 meters
Air draft (min.)	4,52 meters
Air draft (max.)	6,50 meters
Gross tonnage	22,67 GT
Weight (lightship)	33,40 tons
Deck cargo cap.	1x 10 ft
Clear deck area	16,0 m <sup>2</sup>
Cargo area load	0,75 tons

### Tank capacities / Transfer:

Fuel oil / gasoil	4.000 liters
Fresh water	500 liters

### Navigation & Radio:

Radar, 3x VHF, GPS, AIS, Magnetic compass, Speed log, GSM, Rudder indicator, Echo sounder & Wind meter

### Machinery / Performances:

Max speed	10,0 knots
Bollard pull	4 tons
Main engines	2x CAT 3306 DT-T, 220 HP each
Total output	324 kW = 435 BHP
Total shaft power	at 678 rpm
Propulsion	Twin fixed propellers
Diameter propellers	1,00 meters
Rudders	2x Rudders
Generator sets	1x Lombardini 5,2 KVA
Hydraulic power pack	1x Mitsubishi S2E, 15 HP

### Deck Equipment:

Push bow	Yes, rubber fender
Towing hook/bit	Yes
Coupling winches	2x for coupling over bow
Stern	Open stern
Anchor windless	Hydraulic
Steering gear	Hydraulic
Moonpool	12 inch x 8 inch, aft wheelhouse

### Accommodation:

Toilet	Yes
Seats	Wheelhouse 12 + accom. space
Central Heating	Yes

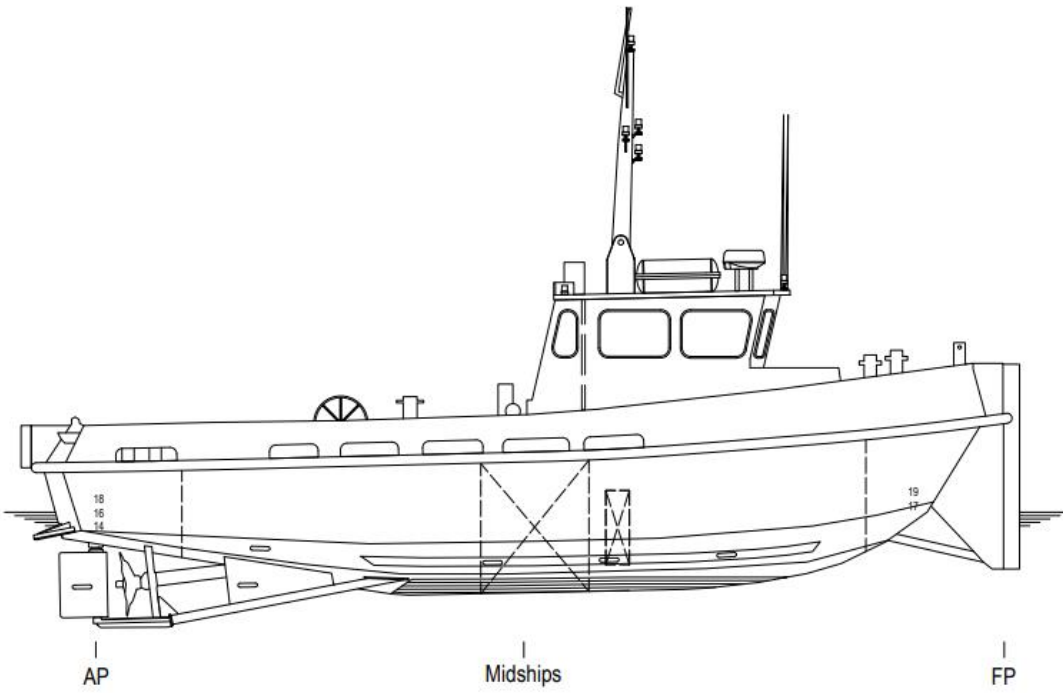
### Safety equipment:

Life rafts	1 raft 12 pers.
Number of persons allowed	12 (crew included)

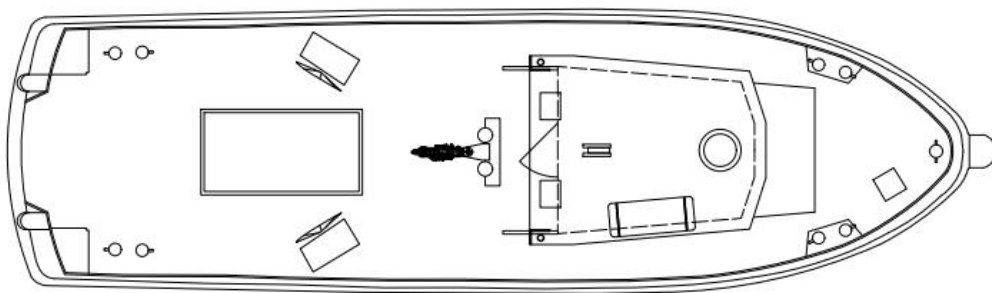
### Options:

Rib / workboat	Yes, with outboard engine
----------------	---------------------------

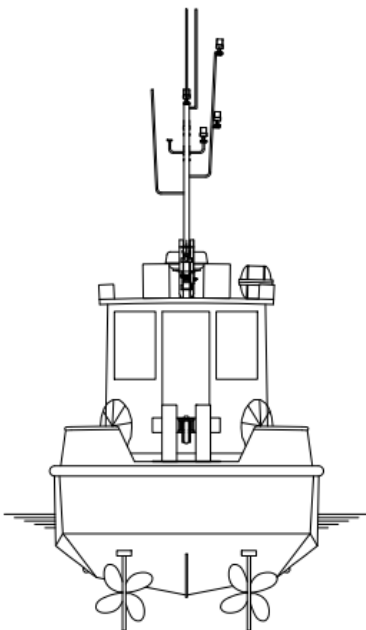
# "ERNIE STEVENSON" | General Arrangement



Side Elevation



Plan



Stern Elevation

