

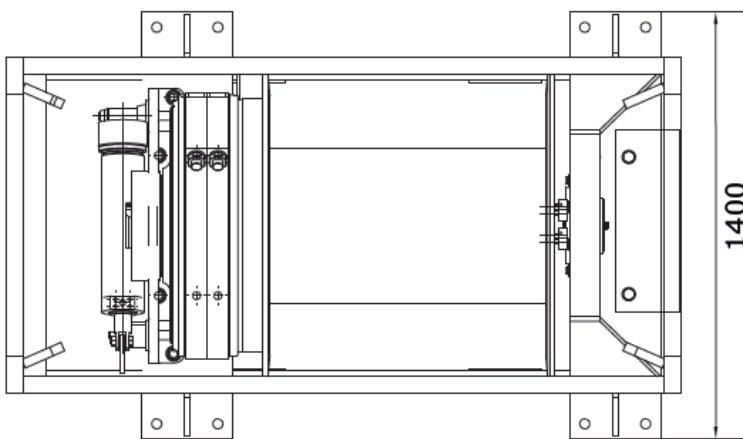
# Characteristics hydraulic single drum mooring winch

Pulling force at first layer:	25.0 ton (constant tension)
Holding force at first layer:	33.0 ton
Drum capacity:	500 mtr – 30 mm steel wire
Speed at first layer:	10 mtr/min
Brake:	Hydraulic by joystick
Clutch:	Hydraulic by joystick
Weight (excl. wire):	2800 kg
Transport dimensions:	221 x 140 x 127 cm
Hydraulic power unit:	Diesel driven 121 Kw
Hydraulic power unit weight:	4980 kg

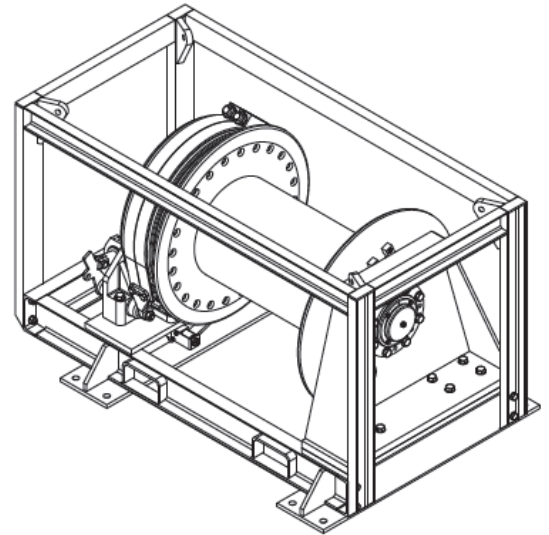
This winch inly operates in combination with the hydraulic power unit 121 kW. For more details, see specification sheet of HPU 121.



Topview



Front-sideview



Frontview

