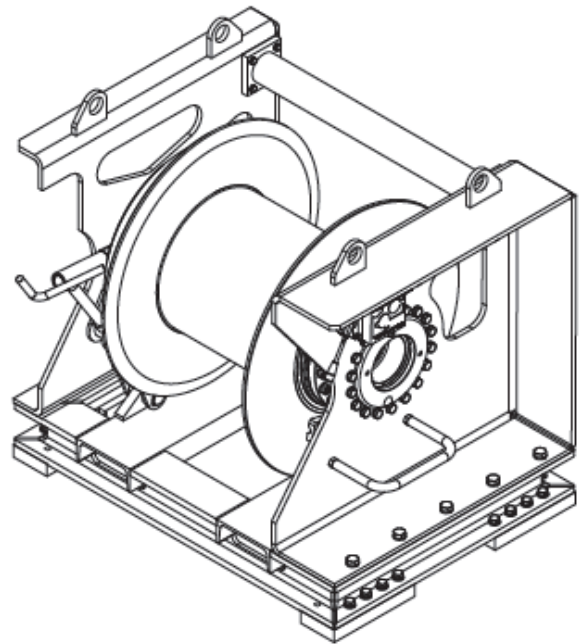


Characteristics stackable hydraulic single drum mooring winch

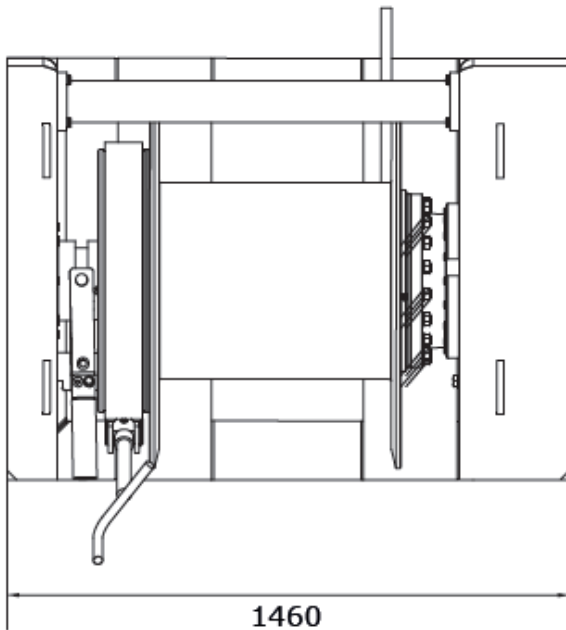
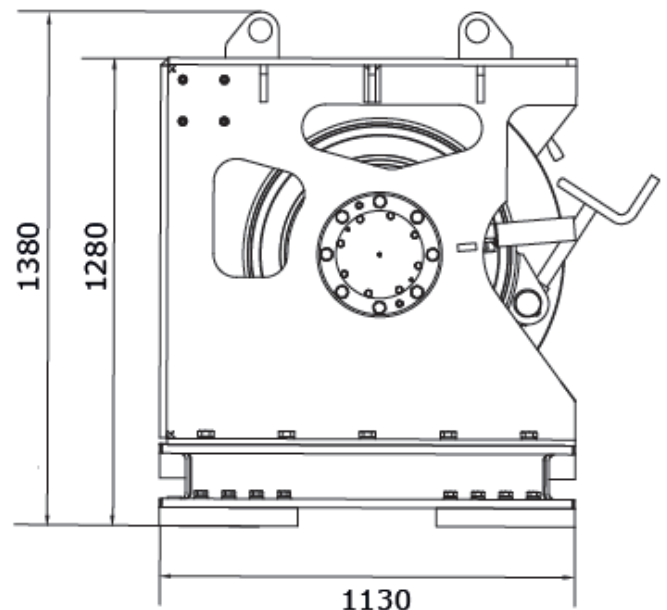
Pulling force at first layer:	15.0 ton
Holding force at first layer:	22.5 ton
Drum capacity:	400 mtr – 28 mm steel wire
Speed at first layer:	10 mtr/min
Brake:	Manual operated
Clutch:	Manual operated
Weight:	1700 kg
Transport dimensions:	146 x 113 x 138 cm
Gearbox:	RR (planetary)
Working pressure:	157 bar
Flow max.:	125 ltr/min



Topview



Sideview



Frontview

