



"NP 289" | 80.00m x 24.00m x 5.00m / Multi-purpose pontoon

General:

Type of vessel	Multi-purpose pontoon (acc. to SPS)
Flag / homeport	Dutch, Rotterdam
Year of build	2012
Basic functions	For deck cargo, available in a wide variety of sizes for all waters.
Classifications	Bureau Veritas, I ✕ HULL, Unrestricted navigation Max. 60 Persons on board
Class valid up to	2021
Call sign	PCBG
IMO number	Unit is a pontoon and has no propulsion
MMSI number	244750587

Dimensions:

Length overall	80,00 meters
Breadth overall	24,00 meters
Depth	5,00 meters
Draft (min. – max.)	1,95 – 3,89 meters
Air draft	24,00 meters
Lightship weight	2.675 ton
Gross tonnage	3.665 ton
Net tonnage	1.099 ton
Cargo capacity	4.500 ton
<i>with max consumables</i>	<i>2.800 ton</i>
Clear deck area	1.392 m ²
Deck load	15 ton/m ²

Tank capacities / Transfer:

Fuel oil / gasoil	600.000 liters
Fresh water	950.000 liters
Sewage	150.000 liters
Transfer of fuel oil	50 m ³ /hr at 4 bar,
Transfer of fresh water	50 m ³ /hr at 4 bar.

Navigation & Radio:

Echo sounder, V-SAT, AIS, DGPS, Satellite compass, Navtex, SART, EPIRB, VHF, GMDSS VHF, GSM, Wind meter & Search light 1x 1,000w

Power and Propulsion:

Generator sets	Parallel configuration 2x Caterpillar C32 (800 kW) 1x Caterpillar (350 kW)
Total e-power	1.950 kW, 60Hz, 230/400V
Ballast System	SB: 5 tanks total 1.300 m ³ , PS: 5 tanks total 1.300 m ³ , Pump capacity 2x 400 m ³ /hr

Deck Equipment:

Winches	6x 60 ton full CT winches. 120 ton hold at 1st layer. Each winch up to 1.000m, Ø48mm. Central controlled from bridge
Anchors	Standard 2x 10 tons and 4x 7 tons
Spud arrangement	2x aft. (SB & PS), 1.220 mm (Spuds for mooring only)
Towing brackets	4x SMIT brackets

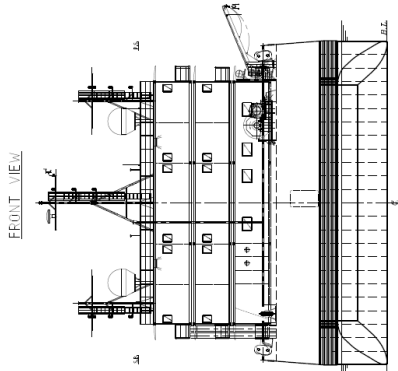
Accommodation:

Facilities	Airconditioned accommodation for 60 persons in 30 cabins.
Office unit	3 offices & 1 recreation room.
Service unit	Mess room, galley, dry store, cold store, freezing store, office, toilets & changing room.
Control unit	Bridge with 5 offices
Safety equipment	Safety equipment and life rafts for max. 60 P.O.B.

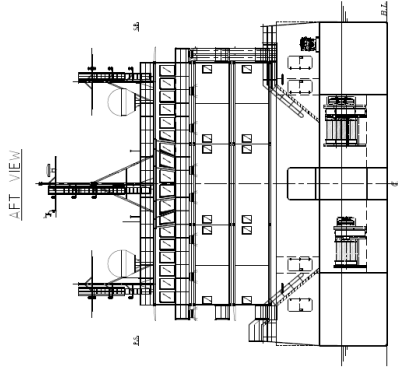
Options:

Crane	Fixed or crawler crane type
Carousel	Up to a diameter of 20 meters
Boat landings	2x, one on SB and one on PS
V-Sat	Yes
MOB boat	Yes
Extra accommodation	30 persons

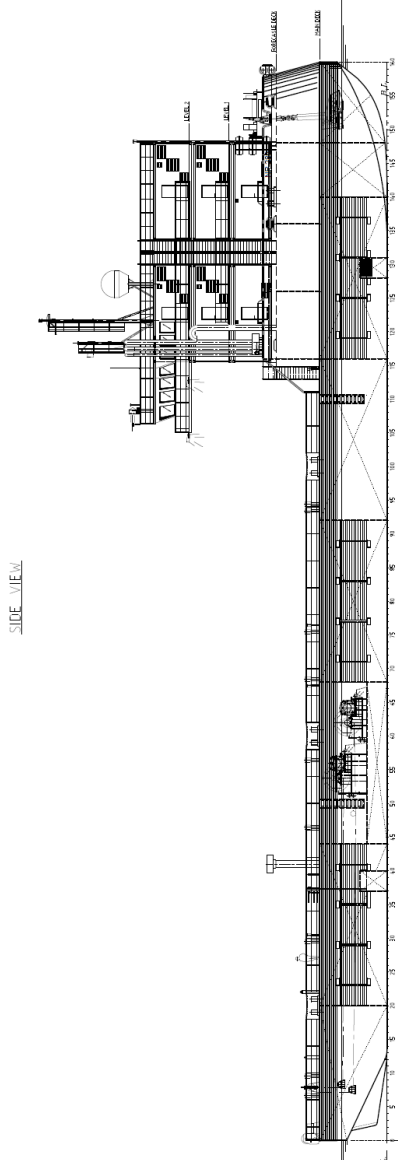
"NP 289" | General Arrangement



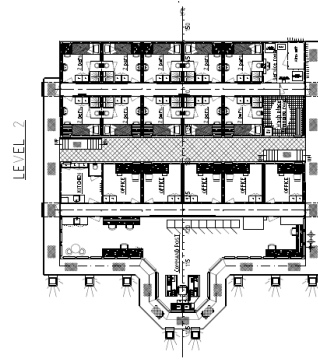
FRONT VIEW



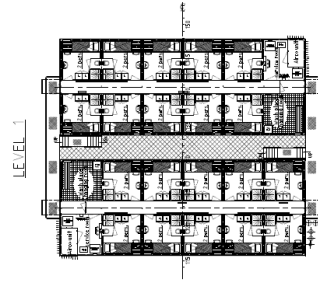
LEFT VIEW



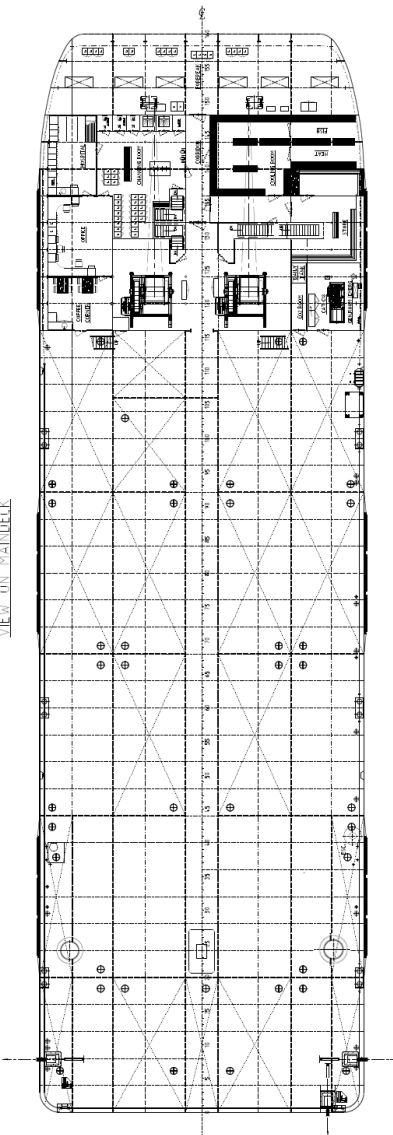
SIDE VIEW



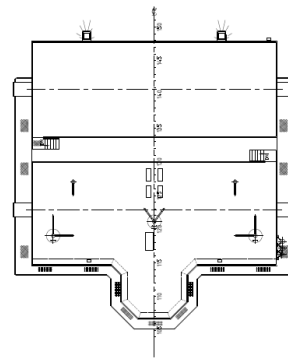
LEVEL 2



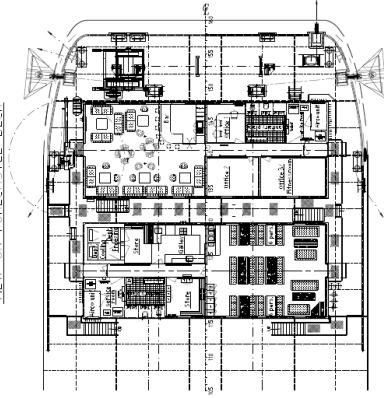
LEVEL 1



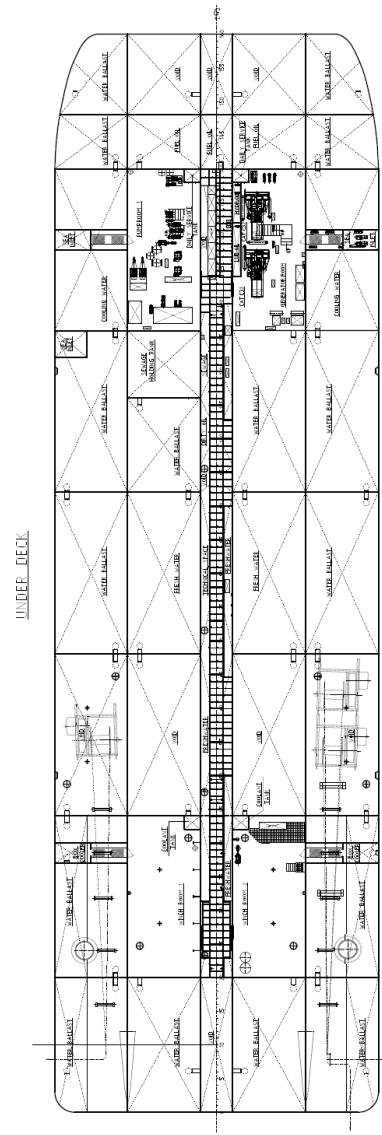
VIEW ON MAINDECK



TOP VIEW



VIEW ON FORECASTLE DECK



UNDER DECK