





"DUTCH PEARL" | Shallow Draft Anchor Handling Tug / Utility Vessel

Classification / Flag:

Flag / homeport	Dutch, Zierikzee
Year of built	2010
Classification	Lloyd's Register 100 A1 Tug LMC, UMS, 
	HULL  MACH Unrestr. Nav.
Class valid up to	2020
Call sign	PBZP
IMO number	9547881
MMSI number	246376000

Dimensions:

Length O.A.	31,10 meters
Beam / width	9,50 meters
Depth at sides	3,10 meters
Draft (min. – max.)	2,80 – 3.10 meters
Air draft (min. – max.)	9,50 – 16,0 meters
Gross tonnage	254 GT
Net tonnage	76 NT
Deck cargo cap.	3x 1 TEU
Clear deck area	108 m ²
Cargo deck load	15 tons per m ²

Tank capacities / Transfer:

Fuel oil / gasoil	112.000 liters
Fresh water	31.000 liters
Fresh water generator	3,5 m ³ /day
Transfer of fuel oil	35 m ³ /hr
Transfer of fresh water	35 m ³ /hr

Navigation & Radio:

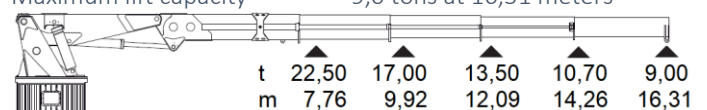
2x Radar, ECDIS, AIS, Echo sounder, GPS, Autopilot, 2x Compass, Navtex, SART, EPIRB, VHF, SSB, V-Sat, CCTV, 2x Inmarsat-C+F & GMDSS Sea Area: A1, A2, A3

Machinery / Performances:

Bollard pull	46,2 tons
Max speed	12,5 knots
Main engines	2 x Mitsubishi S16R-MPTA
Total output	2.340 kW = 3.182 BHP
Propulsion	Twin fixed propellers in nozzles
Diameter propellers	2,10 meter, Van Voorden
Bow thruster	340 kW
Generator sets	2x Mitsubishi 6D 16 T
Generator power	2x 120 kVa
Hydraulic powerpack	1x Mitsubishi S6A3 MPTK 600hp

Deck Equipment:

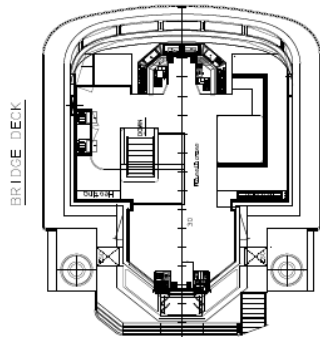
Winch	Maaskant Double Drum Winch
Towing drum	Pull Force 50T, Holding F. 80T 700 meters x 42 millimeters
Anchor handling drum	Pull Force 50T, Holding F. 80T 350 meters x 42 millimeters
Tuggerwinch	2x 8 tons, 40mtr x 18mm wire
Towing pins	Yes
Wire catcher	Yes, Karmoy fork
Push bow	Rubber Fender 900 mm
Stern Roller	4.840 mm x dia 700 mm
Moonpool	Situated SB-side midships Dimensions 620 mm x 419 mm
Main marine deck crane	HEILA HLRM 200-4SL
Maximum lift capacity	9,0 tons at 16,31 meters



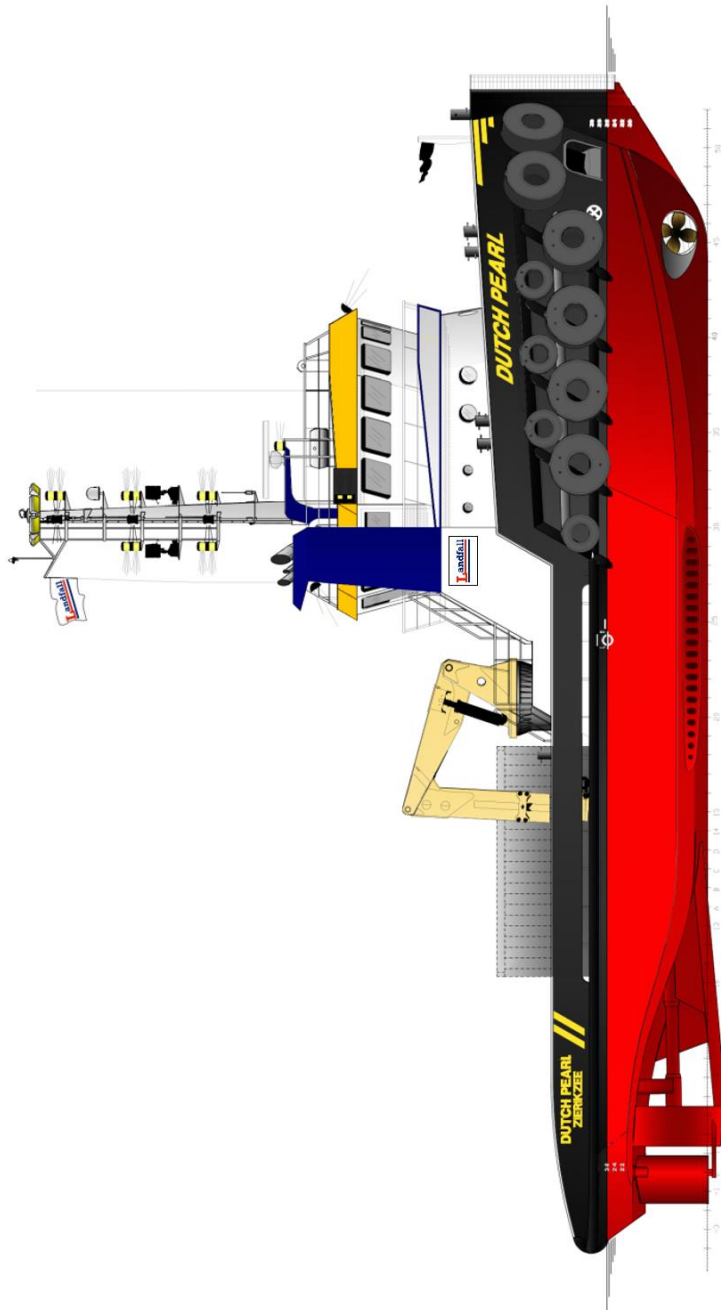
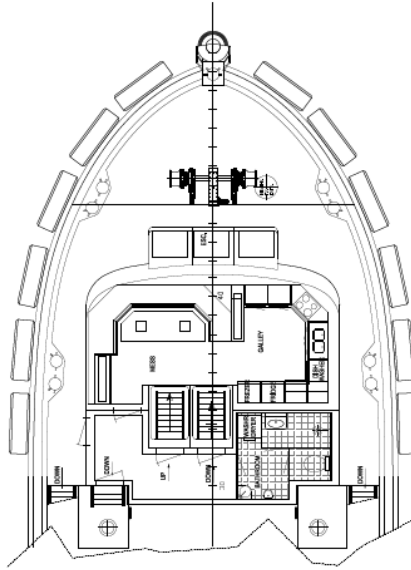
Accommodation:

Facilities	Airconditioned, 8 berths
------------	--------------------------

"DUTCH PEARL" | General Arrangement



FORECASTLE DECK



MAIN DECK/TWEEN DECK

