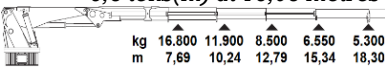
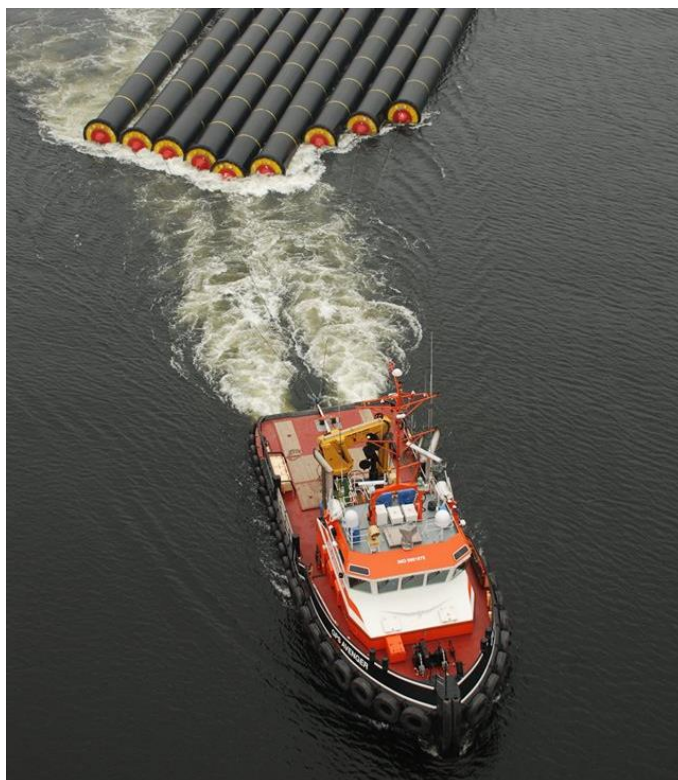


**Shallow draft anchorhandling tug / utility vessel "GPS AVENGER"**

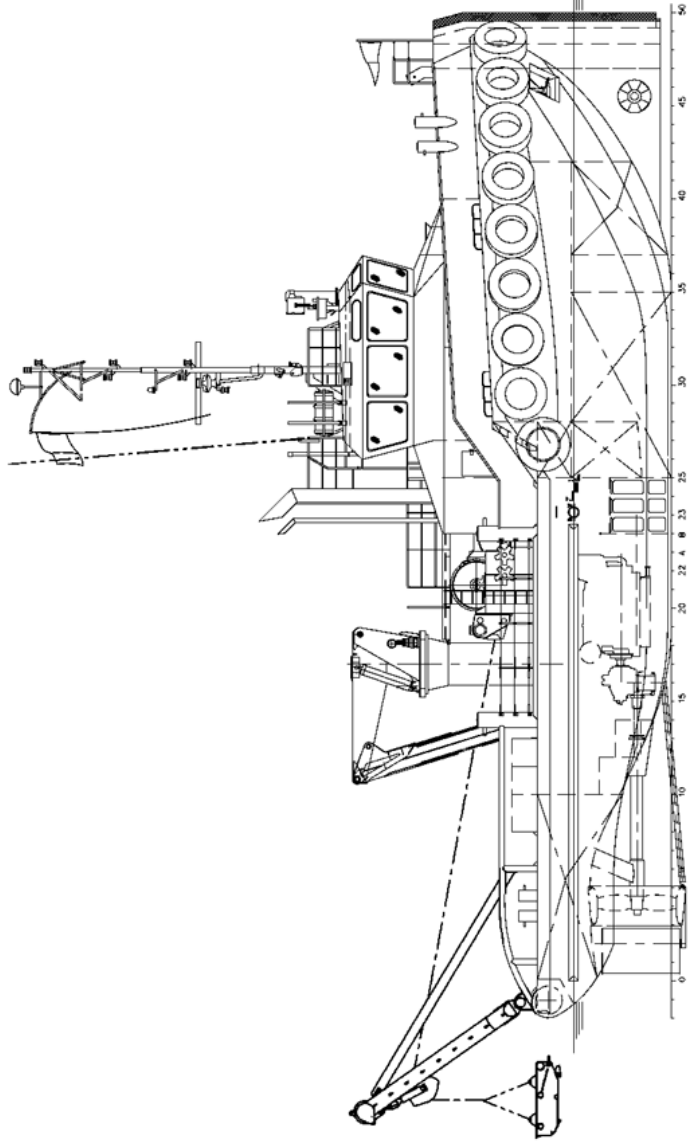
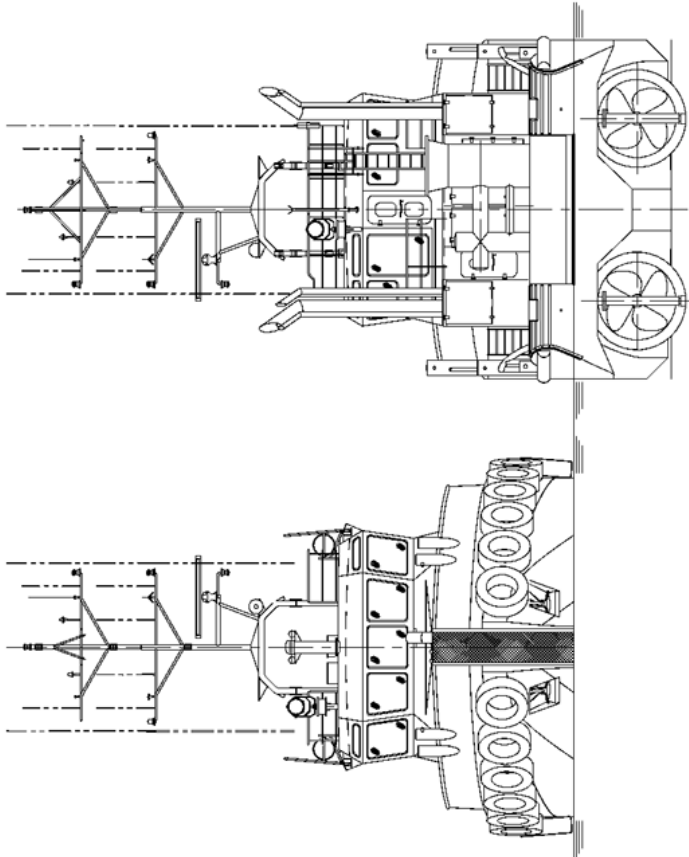
Length over all	27,02 metres												
Beam / Width	9,10 metres												
Depth at sides	3,60 metres												
Draught aft.	2,63 metres												
Net tonnage	66 NT												
Gross tonnage	221 GT												
Flag / homeport	UK, London												
Clear deck area	46 m <sup>2</sup> (3 TEU)												
Cargo deck load	10 tons per m <sup>2</sup>												
Fuel oil / gasoil	125.100 litres												
Fresh water	30.000 litres												
Avg. speed without tow	11,9 knots												
Class valid up to	May 2018												
Year of built	2013												
Classification	Bureau Veritas I 3/3 (E) Unrestricted Service, MCA Cat 1 -150 miles from safe haven												
Bollard pull	38,8 tons												
Towing winch	DMT Waterfall Winch Towing drum: Pull Force 50T, Holding F. 120T Working drum: Pull Force 100T, Holding F. 120T												
Tow wires	1x 850 + 1x 650 metres												
Tow wire diameter	Both 40 millimetres												
Propulsion	2x Caterpillar 3512C TA/A												
Total output	2.238 kW = 3.000 BHP												
Main marine deck crane	Heila HLRM 140-4SL												
Maximum lift capacity	5,3 tons(m) at 18,03 metres												
	 <table border="1"> <tr> <td>kg</td> <td>16.800</td> <td>11.900</td> <td>8.500</td> <td>6.550</td> <td>5.300</td> </tr> <tr> <td>m</td> <td>7,69</td> <td>10,24</td> <td>12,79</td> <td>15,34</td> <td>18,30</td> </tr> </table>	kg	16.800	11.900	8.500	6.550	5.300	m	7,69	10,24	12,79	15,34	18,30
kg	16.800	11.900	8.500	6.550	5.300								
m	7,69	10,24	12,79	15,34	18,30								
Generator sets	2x Caterpillar C-4.4 TA												
Generator Hydraulic	1x Caterpillar C-09 TA, 269kW												
Generator Power	2x 86,3 kVA, 50Hz, 230/400V												
Bow thruster	200 bhp, hydraulic driven												
Equipped with:													
Towing Pins	Double pin, SWL 50 ton												
Chain Stopper	Yes, SWL 75 ton												
Moon pool	Available, Forward Peak												
Push bow	Double Rubber Fender												
Stern Roller	Yes, 50t												
Tuggerwinch	Dromec HPV12000, 12 ton(m)												
Survey Equipment:													
Moon Pool	Forward Peak												
Digital Plough Monitoring System	Tower Software Ltd, real time digital progress system and log												
Call sign	2GJV2												
IMO number	9681675												
DSC MMSI number	235100957												
Navigation & radio	2x Radar, Echo sounder, ECDIS, V-Sat, GSM, AIS, Navtex, Autopilot, SSB/DSC, 2x Compass, SART, Speed log, 4x VHF, 2x Mini-C + GMDSS, GPS, Inmarsat-C, 2 x Searchlight 200W												



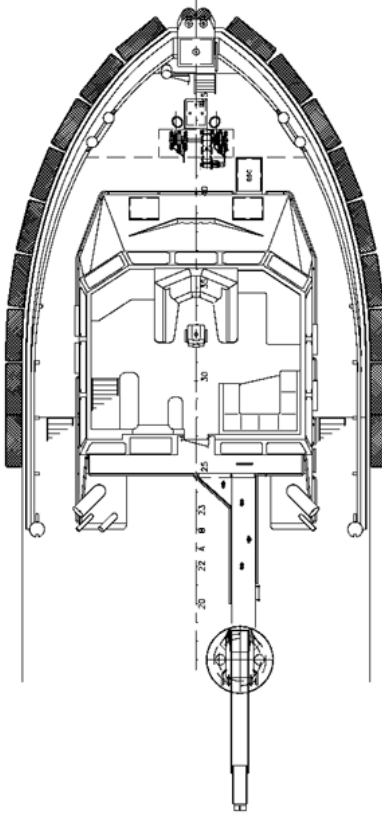
"Besloten Vennootschap", registered with the Chamber of Commerce in Rotterdam under N° 34.102421  
All our offers, proposals, calculations, etc., are without engagement, unless otherwise agreed in writing and are always subject to our "General Conditions".

The "Nederlandse Expeditievoorwaarden" are fully integrated in these "General Conditions" and in addition thereto the General Clauses of the relevant standard "Bimco" contract-forms are applicable.  
Bankers: Rabobank – account N° 38.36.52.650 – IBAN NL41 RABO 0383652650 – Swift code RABONL2U

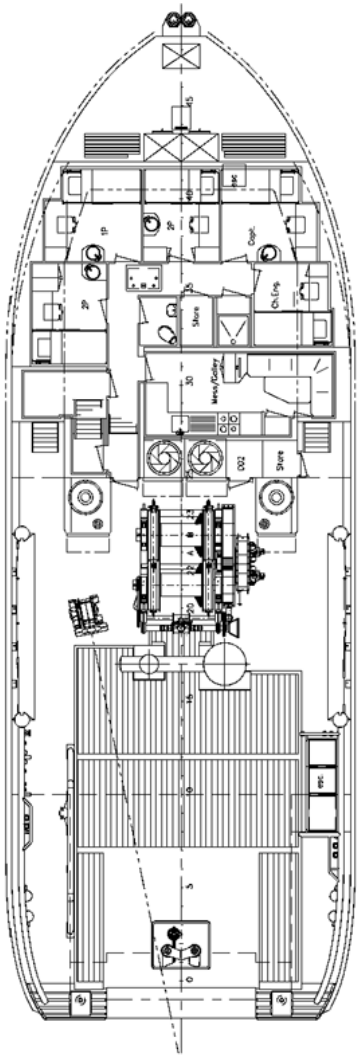
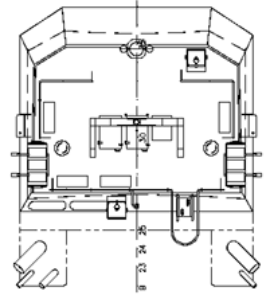




Forecastledeck



Topdeck



Below maindeck

